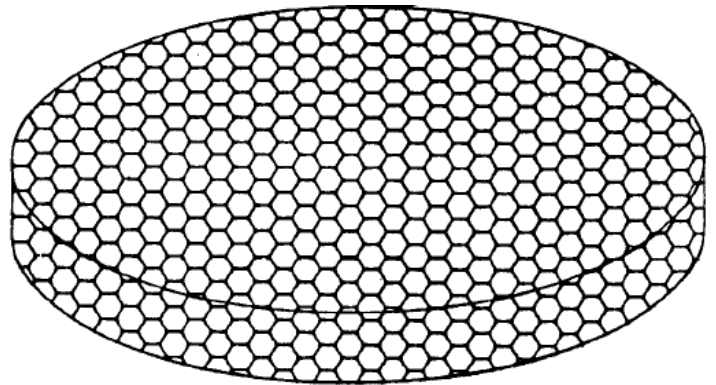
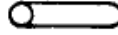
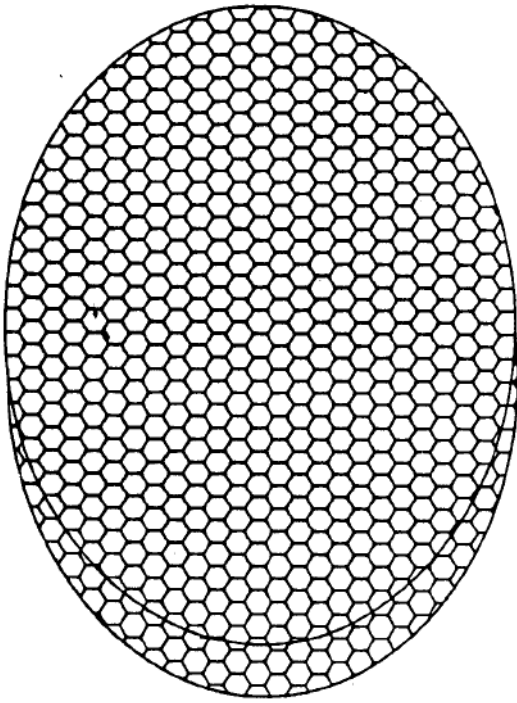
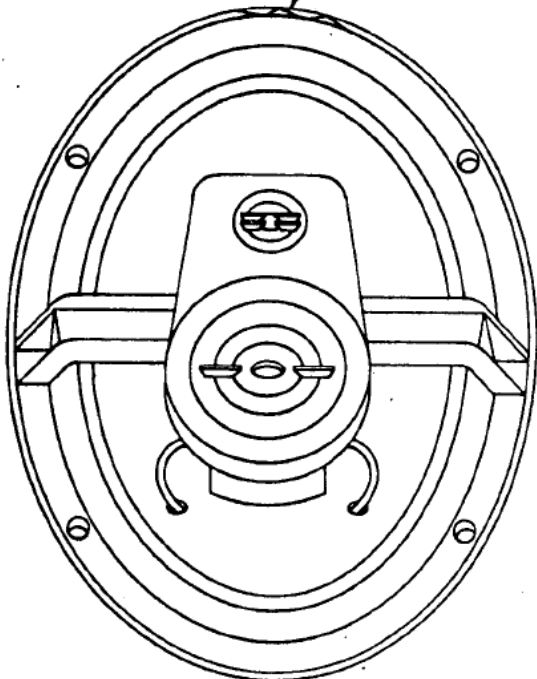


HOW TO USE BUTYL TAPE

Stretch butyl tape adhesive (supplied) and insert it into the groove in the frame that holds the grill. Mount grill on frame. Note that butyl tape will act as an adhesive but it will not harden so the grills can be removed at any time without damage. If butyl tape is not enough, you are welcome to use silicone beads.



PUT IN BUTYL TAPE



PUT IN BUTYL TAPE

