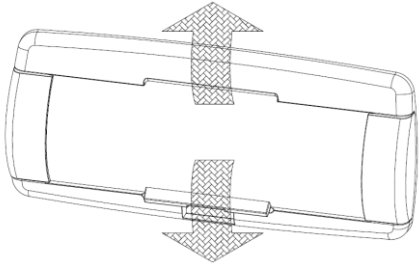
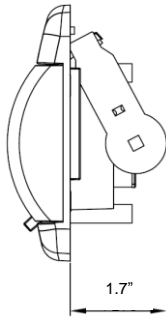


**WC4**

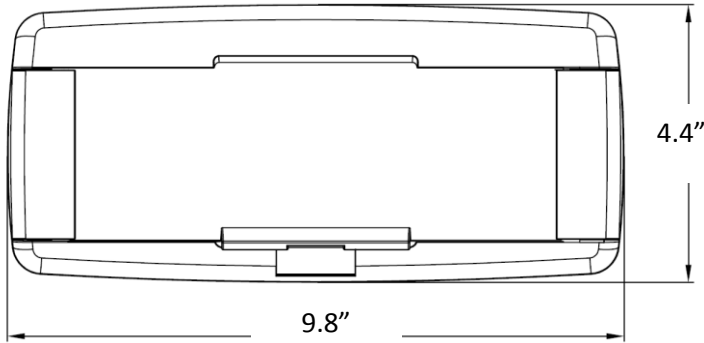
**Weather Resistant Radio Splash Cover**



TO OPEN



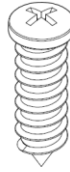
SIDE VIEW



FRONT VIEW

**PARTS INCLUDED**

(A)



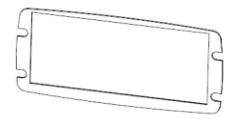
SCREW x 4 PCS

(B)

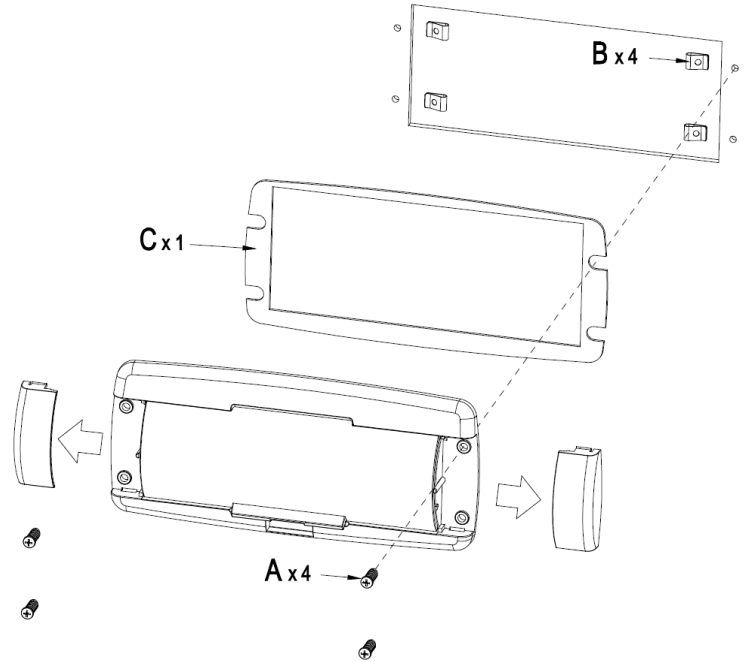


SHARPNELx 4 PCS

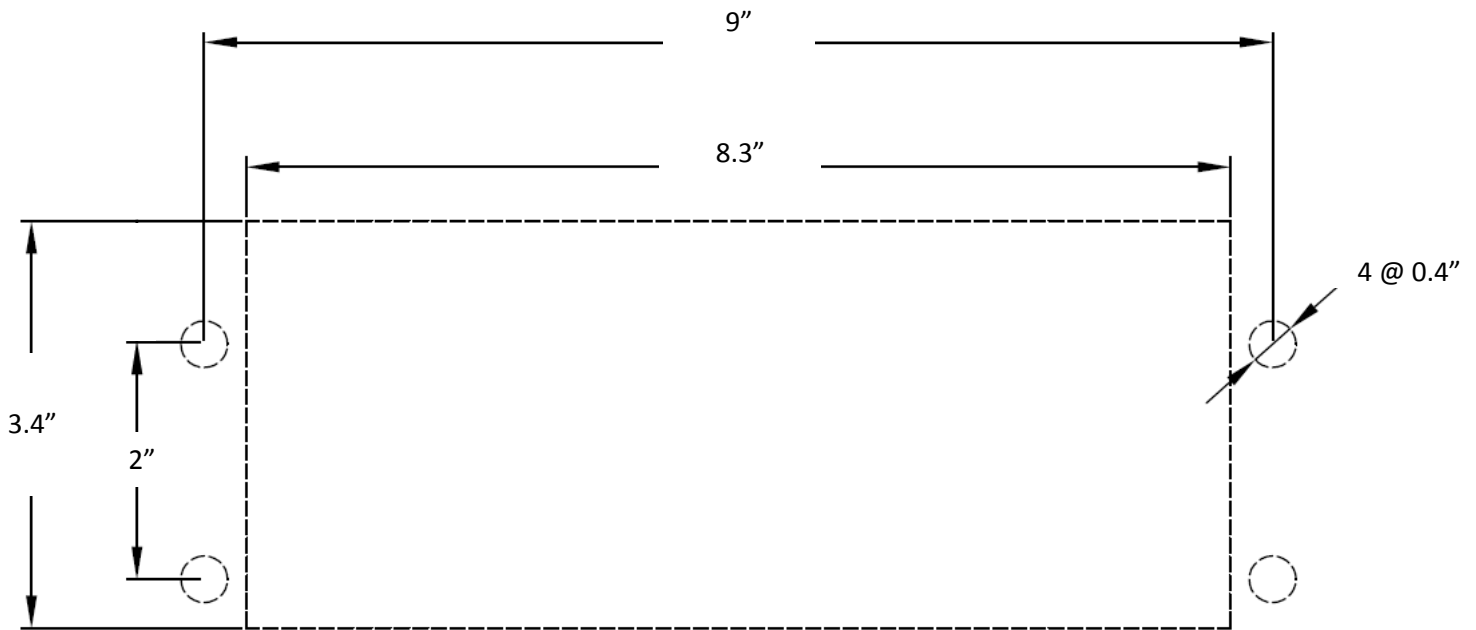
(C)



SPACERx 1 PCS



INSTALLATION DIAGRAM



CUT-OUT DIMENSIONS (in inches)