

XMD-1000 XM Direct Receiver



Introduction:

XMD-1000 is a universal XM Satellite Radio Tuner Box. Enables MRD70 Stereo receive XM Satellite Radio. It requires the **IXM-10 XM Radio Interface Module** (sold separately).

The IXM-10 is a custom module designed to bring XM Radio to the Poly-Planar line of marine audio products.

Features:

- Easy way to add XM radio to the audio network
- Complete control of XM functions
- Song/Channel/Artist data displayed on RD-44
- Allows mounting of the XM Direct receiver away from wet areas.

Installation:

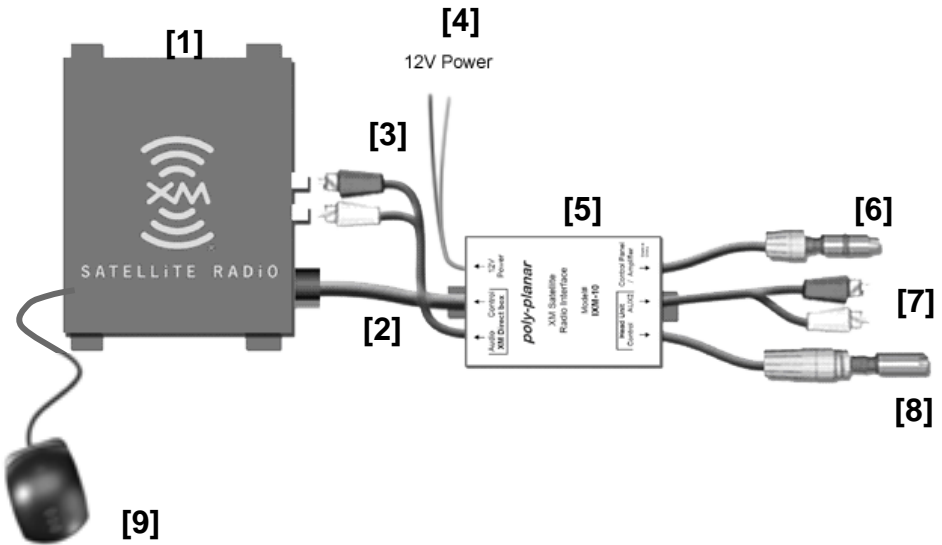
Install the super-compact tuner(**XMD-1000**) and the interface module(**IXM-10**), and you're ready to receive the XM signal. XM Direct even includes the required XM antenna right in the box.

You must have a subscription to XM in order to tune in the digital satellite radio signal. (Satellite radio service is available only within the lower 48 states — not available in Alaska, Hawaii, or U.S. territories.)

Antenna:

The XMD1000 includes an ultra-thin Micro Antenna with a 19-3/4' cable. The strong magnetic base securely attaches the antenna to your boat. Best reception is achieved with the antenna mounted on flat surface in the center of an area with at least 12" x 12" of surface area, and a minimum of 6" from a window.

Installation Diagram:



- [1] XMD-1000 XM Direct Receiver
- [2] Cable to XM Direct Receiver
- [3] To XM Audio Output
- [4] To 12V battery source
- [5] IXM-10 Interface Module
- [6] To RD-44, Network Router or Network Amplifier
- [7] Audio Output to AUX2 of MRD-70
- [8] To MRD-70 Radio
- [9] Plug in the XM Antenna and route the best signal



Specifications:

- XM-certified universal XM tuner module
- XM antenna with 19.75-ft. cable
- Single-cable antenna connection
- Dimensions: 4-1/2"W x 1-5/16"H x 5-1/8"D (tuner); 1-13/16"W x 11/16"H x 2-3/8"D (antenna)
- Operating Voltage - 13.8V (10V – 16V) DC

WARRANTY

Poly-Planar marine audio systems are warranted to be free of defects in materials and workmanship for a period of one year. Warranty is subject to proper installation and operation within published specifications. Poly-Planar will repair or replace, at its discretion, any unit returned prepaid to its factory and determined to be defective. Poly-Planar Inc. is not liable for consequential damages.