

MR45R OWNER'S MANUAL



- **Wired remote with display for MR45 Series and MRD80 Series**
- **Digital display with adjustable backlight**
- **Waterproof design**
- **3.47 inches (88mm) Diameter**
- **Extension cable available sold separately)**

CONTROL & FUNCTIONS KEYS



1) **◀◀** button

In Radio mode, Press **◀◀** button to select a station. To use manual tuning, Press and hold **◀◀** button. Unit will return to

“**AUTO**” mode if left untouched for 5 seconds.

In CD/USB/iPod® mode, press **⏮** **button** to move to the next/previous track.

2) **Liquid Crystal Display**

Exhibits current frequency and activated functions on the display.

3) **Power button**

Press **⏻** **button** to turn the unit on or off.

4) **⏭** **button**

In Radio mode, Press **⏭** **button** to select a station. To use manual tuning, Press and hold **⏭** **button**. Unit will return to “**AUTO**” mode if left untouched for 5 seconds.

In CD/USB/iPod® mode, press **⏭** **button** to move to the next/previous track.

5) **Mode button**

Press **MODE** **button** to choose desired listening mode. (e.g. RADIO mode to CD mode to AUX IN mode to iPod® mode to USB mode).

6) **▼** **button**

Press **▼** **button** decrease volume level.

7) **🔇** **button**

Press **🔇** **button** to mute audio level. Press the button again to release mute function.

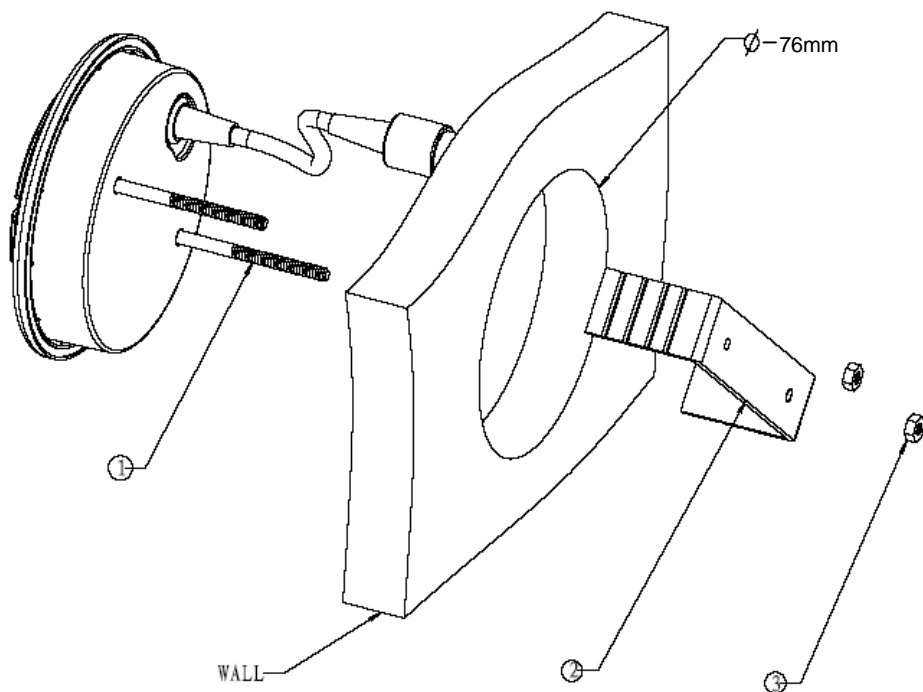
8) ▲ button

Press ▲**button** to increase volume level.

INSTALLATION DIAGRAM

Select the proper location to place the commander, make sure there is clearance for the installed depth. Use a hole saw or other suitable device to make a cutout. Install the commander to the wall using provided hardware:

- 1) 2 screw axles
- 2) 1 mounting bracket
- 3) 2 butterfly nuts



WARRANTY INFORMATION

This unit is warranted to be free of defects in material and workmanship for a period of one year. Warranty is subject to proper installation and operation within the published specifications. Except as provided below, Poly-Planar will repair or replace, at its discretion, any unit returned prepaid to our facility with proper documentation and determined to be defective in normal use. Poly-Planar is not liable for any consequential damages.

LIMITS OF LIABILITY

Proof of date of purchase is required for warranty service of this unit.

Poly-Planar will consider this warranty void if unit has been tampered or has had serial number altered, defaced or removed. Poly-Planar warranty does not cover damage occurred in transit, accident, abuse, misuse, negligence, fire, flood, lightning, or unauthorized service. This warranty assumes no responsibility for damages incurred during installation of this equipment. This warranty does not cover labor costs for removal of defective unit or reinstallation of replacement unit. This warranty covers normal consumer use only. In no event shall Poly-Planar be liable for special, incidental, or consequential damages.

To obtain service under this warranty, please call Poly-Planar for a **RETURN AUTHORIZATION NUMBER**. After a return authorization number is issued, return unit with proof of purchase and a letter stating your return address, daytime phone number and detail description of the problem or malfunction

poly-planar, inc.

Maryland USA

(410) 761-4000

www.polyplanar.com

