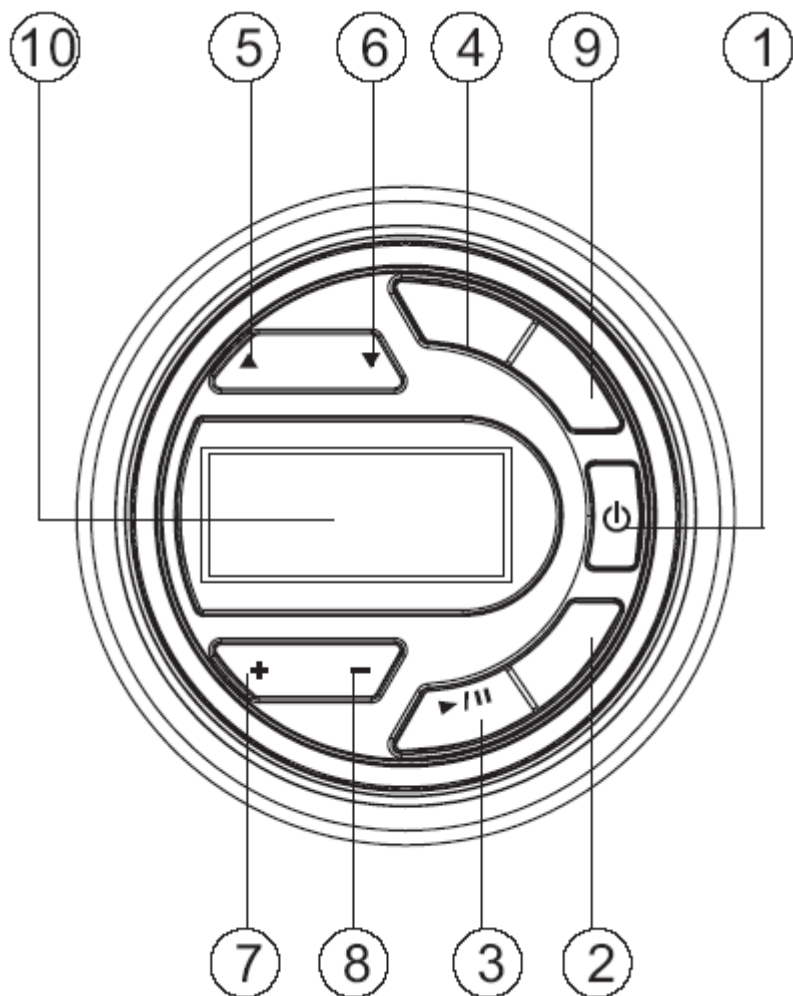


# MRR5 OWNER'S MANUAL



This unit is a marine rated wired remote control. It is capable of operating specified functions on some marine devices. The body, buttons, controls and display are UV and water-resistant. It includes LCD and an illumination circuit. The flat body is watertight and has a clear coated circuit board.

## CONTROL & FUNCTIONS KEYS



### 1) Power button

Press  button to turn the unit on or off.

### 2) Mode button

Press **MODE** button to choose desired listening mode. (e.g. RADIO mode to CD mode to AUX IN mode to IPOD mode to USB mode).

If there is no disc loaded, or no USB/IPOD connected to the unit, the corresponding mode will be skipped.

FOR THE UNIT WITH SUBWOOFER:

Press and hold **MODE/SUB.W** button for 5 seconds to toggle sub-woofer output.

### 3) /MUTE button

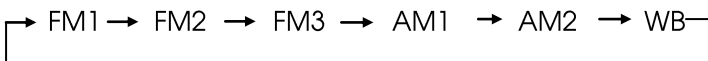
In radio/AUX IN mode, press /MUTE to mute audio level. Press the button again to release mute function.

In CD/USB/IPOD mode, press  (MUTE) button (3) to pause playing. Press it again to resume play.

### 4) BAND/LOUD/ENT button

Press and hold **BAND/LOUD/ENT** button for 3 seconds to reinforce the bass output. Press it again to release this function.

In radio mode, press **BAND/LOUD/ENT** button to select desired band. The reception band will change in the following order:



In MP3 mode, the **BAND/LOUD/ENT** button is to confirm the selection in some operations.

## 5 & 6) TUN/TRCK ▲/▼ buttons

In radio mode, Press **TUN/TRCK ▲/▼** buttons to select a station. To use manual tuning, Press and hold **TUN/TRCK ▲/▼** until “**MANUAL**” mode appears on the display. Unit will return to “**AUTO**” mode if left untouched for 5 seconds.

In CD/USB/IPOD mode, press **TUN/TRCK ▲/▼** buttons to move to the next/previous track.

## 7 & 8) VOL +/- buttons

Press **VOL +/-** buttons to increase/decrease volume level.

## 9) SCAN/SCH/IPOD-MENU button

In radio mode, press **SCAN/SCH/IPOD-MENU** button to scan a station, the unit will keep on scanning every 7 seconds until you press **SCAN/SCH/IPOD-MENU** button again to stop.

In MP3/ WMA disc or USB operation, press **SCAN/SCH/IPOD-MENU** button to scan an .mp3 or .wma audio files. The unit will ignore files that do not end in “.mp3 or “.wma”.

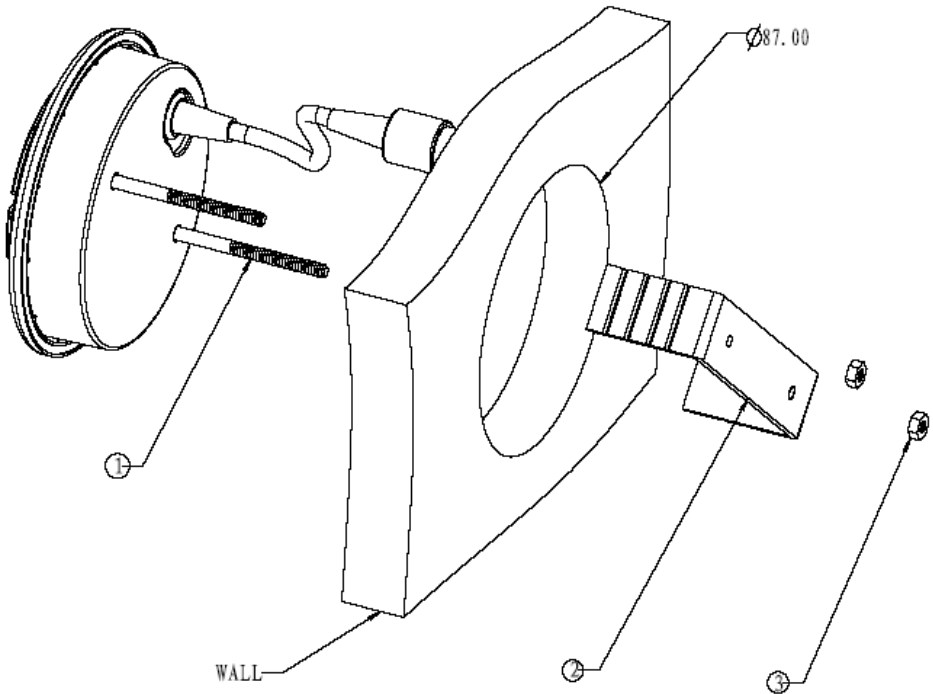
In IPOD operation, **SCAN/SCH/IPOD-MENU** button will show the current catalog (stored in the IPOD), then you can select the corresponding category or song to play.

## 10) Liquid Crystal Display

Exhibits current frequency and activated functions on the display.

## INSTALLATION DIAGRAM

Select the proper location to place the commander, make sure there is clearance for the installed depth. Use a hole saw or other suitable device to make a cutout. Install the commander to the wall using provided hardware: 2 screw axles (M4X50), 1 mounting bracket and 2 butterfly nuts (M4).



## **WARRANTY INFORMATION**

This unit is warranted to be free of defects in material and workmanship for a period of one year. Warranty is subject to proper installation and operation within the published specifications. Except as provided below, Poly Planar will repair or replace, at its discretion, any product returned prepaid to our facility and determined to be defective. Poly Planar is not liable for consequential damages

## **LIMITS OF LIABILITY**

Poly Planar warranty does not cover damage occurred in transit, accident, abuse, misuse, negligence, fire, flood, lightning or unauthorized service. This warranty assumes no responsibility for damages incurred during installation of this equipment. This warranty covers normal consumer use only. In no event shall Poly Planar be liable for special, incidental, or consequential damages.

To obtain service under this warranty, please call Poly-Planar for a RETURN AUTHORIZATION NUMBER.

***poly-planar, inc.***

Maryland USA

(410) 761-4000

[www.polyplanar.com](http://www.polyplanar.com)