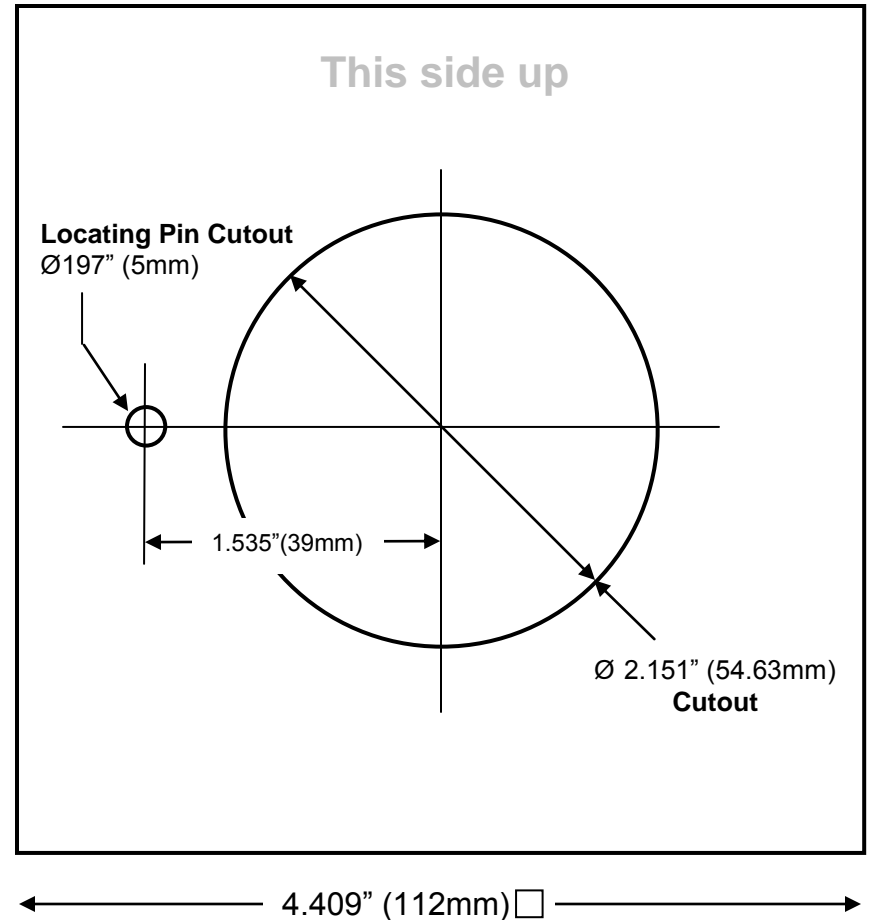


# RD-44 DIMENSIONS & CUTOUT TEMPLATE



Scale = 1:1

**Note:** Faxing or reproducing this template may change the scale



# RD-44 DIMENSIONS & CUTOUT TEMPLATE

(This page not to scale)

