

# MA3013 3" Waterproof Speaker Installation Guide

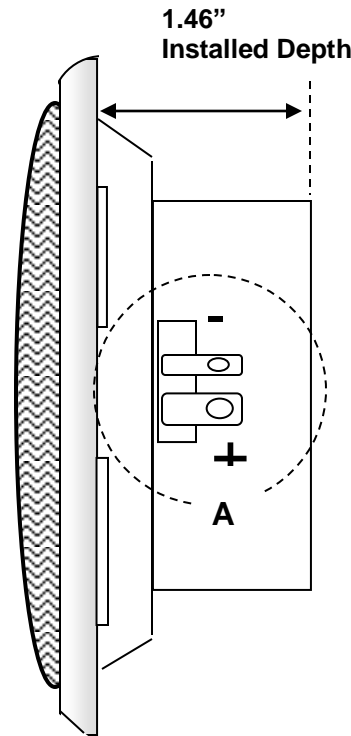
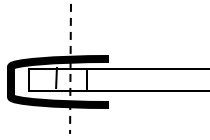


**Description:** The MA3013 is a 3" Flush mount speaker especially useful where mounting space is limited. This compact speaker is designed to be used alone or conjunction with the MS series Subwoofer systems.

**Installation:** Find a suitable location making sure there is clearance for the installed depth. Use a hole saw or other suitable device to make a 2.85" (72.39mm) cutout.

Place the speaker in the cutout and mark and drill 1/8" (3mm) holes for the mounting screws (Supplied). If the panel is too thin or soft for screws use the stainless screw clips in the hardware kit.

Attach speaker wires with the positive to the larger tab as shown on the diagram or use the speaker wires supplied.



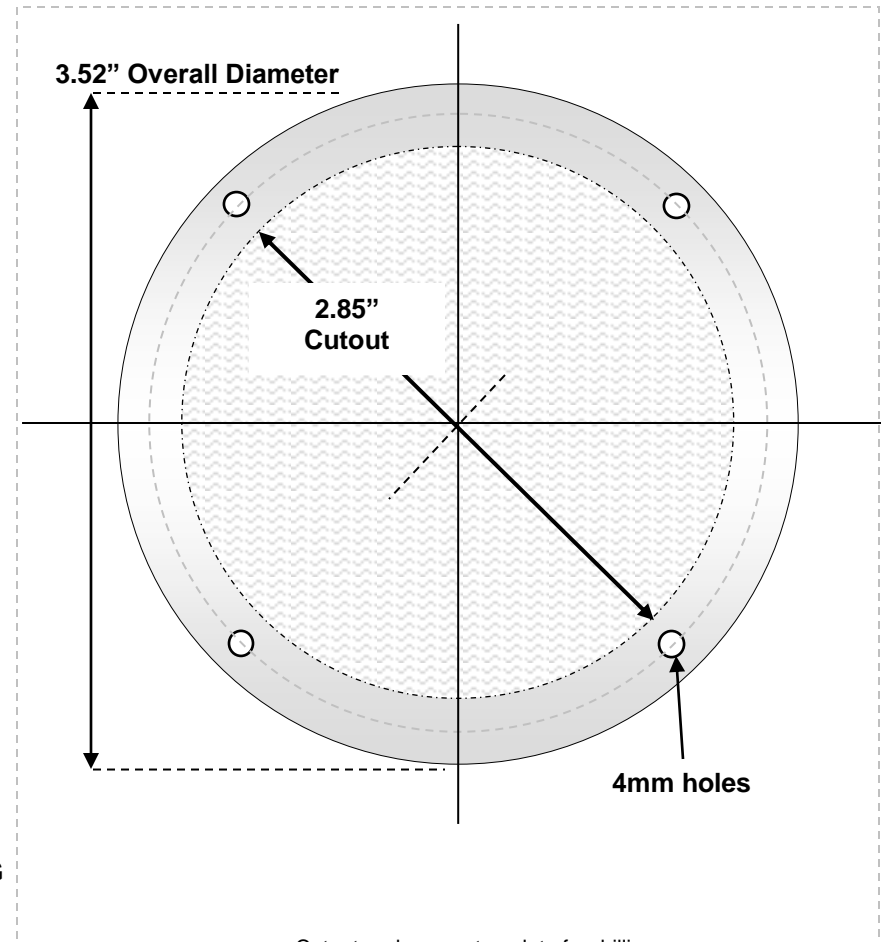
**Connection Lug Detail: A**

**Pos.** = .205" x .032," 22-18 AWG

(Example: Amp # 640911-1)

**Neg.** = .110" x .032," 22-18 AWG

(Example: Amp # 640923-1)



Cutout and use as template for drilling

**Scale = 1:1**

**Note:** Faxing or reproducing can change scale

**Specifications:**

MA3013	Impedance:	4 Ohms
	Max Power:	60 Watts
	Continuous Power	30 Watts
	Weight	.5 lb/.2kg